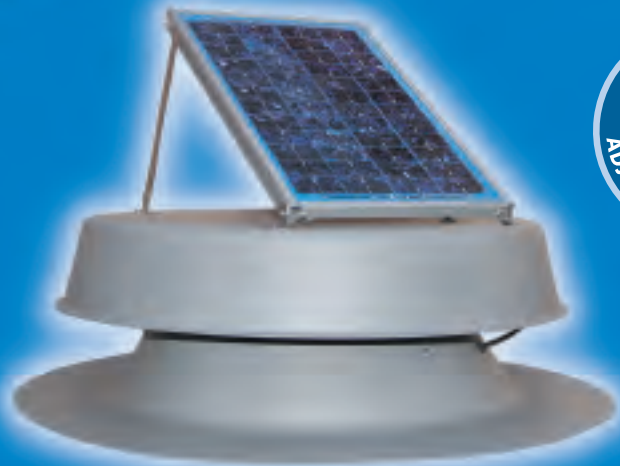
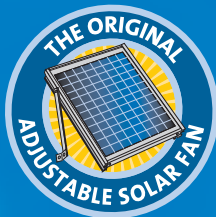


NATURAL LIGHT SOLAR ATTIC FAN

The Environmentally Sensible Solution that can SAVE you Money!



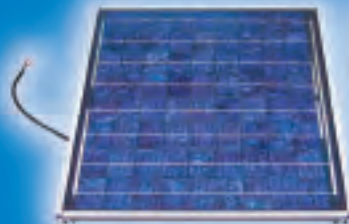
Roof-mounted unit
(10 or 20 watts)



Curb-mounted commercial unit
(20 watts)

Attic venting is an important aspect in maintaining a healthy energy efficient home. Proper venting cools your roof extending the material life and reduces the load on your air conditioning system. Attic venting also increases fresh air circulation. Powered completely by free solar energy, this sleek and efficient vent is both compact and quiet. Fully operational right from the box, it installs easily, with no electrical wiring. And let's not forget powerful! Operating up to 850 cfms, a single 10 watt unit can fully vent up to 1200 square feet.

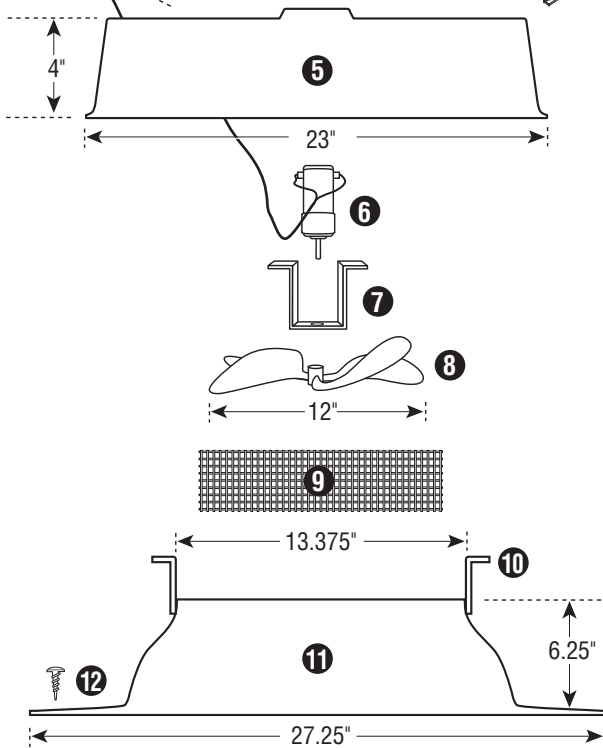
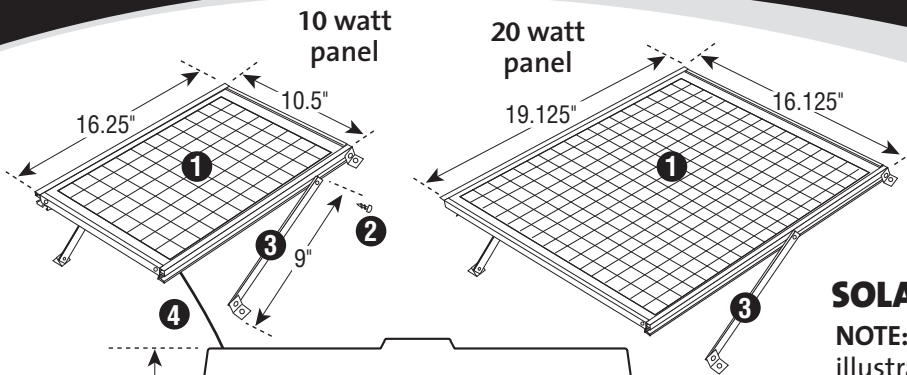
Gable-mounted unit
(10 OR 20 watts)



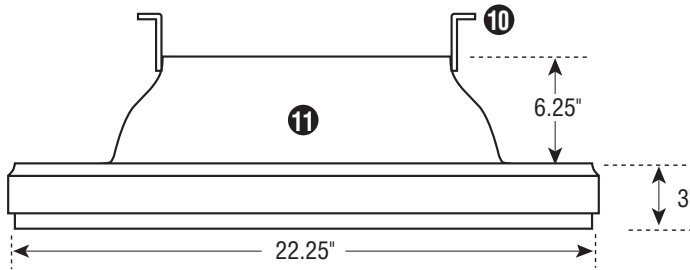
**BEST INDUSTRY WARRANTY:
25 YEARS ON THE HOUSING,
SOLAR PANEL AND MOTOR**

Solar Attic Fan

Technical Specifications



ROOF MOUNTED FLASHING



CURB MOUNTED FLASHING

SOLAR ATTIC FAN PARTS

NOTE: Exploded view of Solar Attic Fan is for illustrative purposes only. Unit comes fully assembled.

1. Custom Solar Panel
2. (2) #8 x 1" Self-Tapping Screws
3. Adjustable Solar Panel Bracket
4. Wire Lead
5. 1100 Series, .080" Thickness, Aircraft Grade Aluminum Shroud
6. Custom DC Motor
7. Motor Isolation Bracket
8. Air Drive Precision Pitch Blade
9. 4" x 48" Stainless Steel Wire Mesh
10. Rugged 14 Gauge Shroud Support Bracket
11. 1100 Series, .080" Thickness, Aircraft Grade Aluminum Flashing
12. (6) #6 x 1 1/2" Stainless Steel Phillips Head Screws

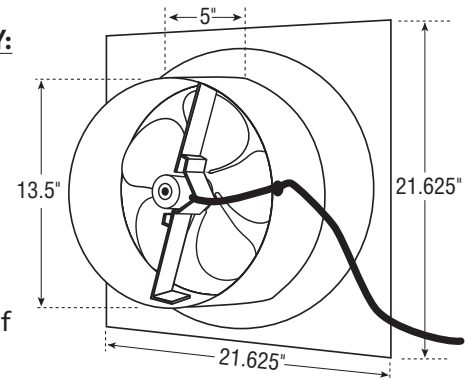
OPTIONAL ACCESSORY:

Thermal Snap Switch available to automatically turnoff unit during colder months.

SOLAR PANEL VENTING CAPACITY

10 watts - up to 1,200sf
up to 850 CFMs

20 watts - up to 2,000sf
up to 1,275 CFMs



GABLE MOUNTED UNIT

