

Thank you for investing in a Natural Light Tubular Skylight System electric light kit. Please call our Tech Hotline at 800.363.9865 for questions or special instructions not covered in these instructions.

PLEASE READ BEFORE INSTALLING

1. Determine a location that is attic accessible. Remove the protective liner off the inside of the Natural Light pipe. Using a sharp 1/2 inch drill bit, drill a 1/2 inch hole 9 inches up from the bottom of the Natural Light pipe.

WARNING: Do not change the location of the hole for mounting the light kit, doing so will void the warranty and impairs safe temperature and electrical performance.

2. The main lamp bracket is already assembled from the factory. You will need to remove the conduit connector, the nut and washer from the threaded bracket rod. Next, thread the bracket through the 1/2 inch hole that you just drilled in the Natural Light pipe, starting from the inside of the light pipe, and align the light kit as pictured. Secure the light kit bracket to the light pipe using the aluminum "I" shaped bracket and tighten (snug). The "I" shaped bracket rests on the inside of the light pipe and the washer and tightening nut are on the outside of the light pipe.

3. Push the exposed wires through the hole in the junction box and secure the threaded rod into the 4" x 4" junction box and tighten the conduit connector.

4. Bring in the switched 120 VAC supply wiring into the 4" x 4" junction box. Connect the black wire from the junction box to the black wire from the ballast and the white wire from the junction box to the white wire from the ballast (see Figure 1). Then, connect red wires from the threaded rod to the red wires from the junction box and connect the blue wires from the threaded rod to the blue wires from the junction box (see Figure 2). **DO NOT USE OR DISCONNECT YELLOW WIRES.** It is important that all wiring complies with local codes, be properly grounded, (and recommended) all AC feed wiring should be through a GFCI branch circuit.

5. Install the cover onto the 4" x 4" junction box and secure to a suitable location.

6. Insert the provided fluorescent bulb in the lamp socket and enjoy your new light kit.

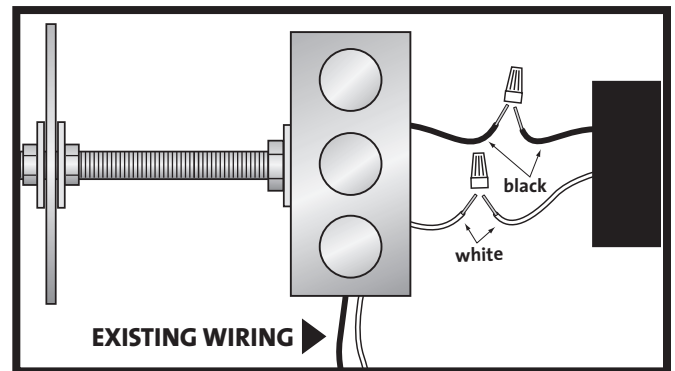
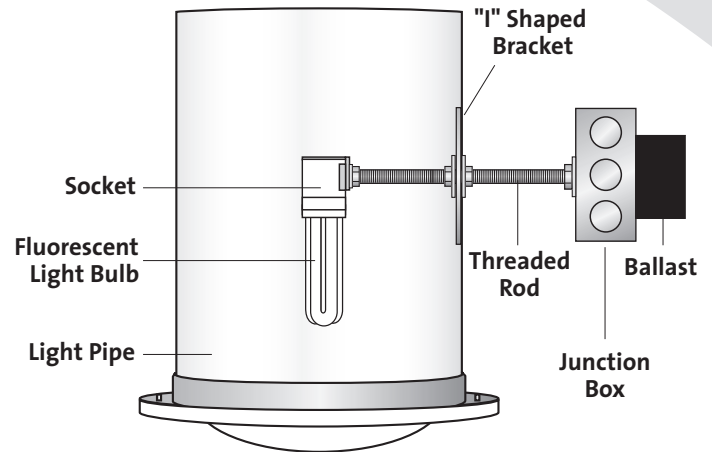


Figure 1

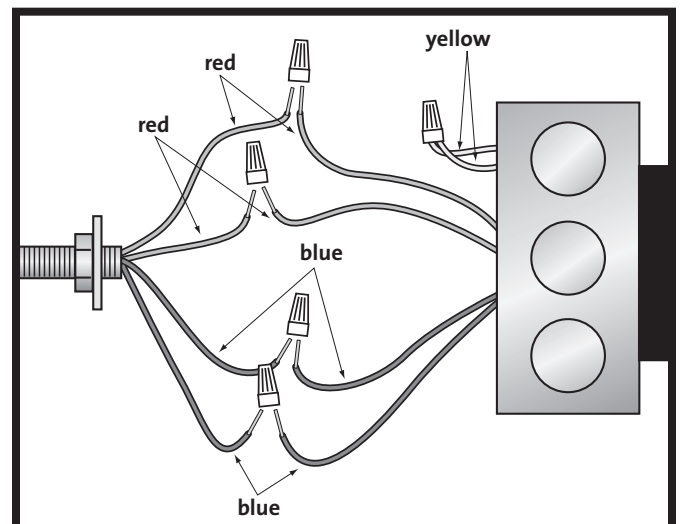


Figure 2